

# دليل كتابة خطة البحث

لرسائل الماجستير والدكتوراه

١٤٢٦هـ - ٢٠٠٥م

بسم الله الرحمن الرحيم







o

( )

(seminar)

-:

:

-

•

•

٦

•

—

•

•

•

—

—

—

•

•

•

Y

:

•

:

-

-

-

-

-

:

•

^

(... ) (Statement)

.

.

.

:

•

.

.

:

•

.

:

•

.

.



:

•

•

•

•

:

•

.

:

•

.

:

•

.

:

(

.

1.

(

(

:

•

:

:

•

:

•

:

•

:

•

( / )

:

•

:

•

Traditional Arabic

( )

. [ ]

. MS Word

( )

( )

. Garamond

.

:

.

.

.

.

.

.

.  
 :  
 " " ●  
 :  
 :  
 ... ( ) -  
 ... ( ) -  
 ... -  
 : ●  
 :  
 :  
 ")  
 ( "APA

۱۳

:

•

:( ) . .

:

(. . "APA ")

:

:

•

"

-

( ) "APA

" ( )

-

"

APA

.( )

" ( )

-

( ) "APA

:

•

.

١٤

( )

:

:

.

.

( ).

.( )

:

•

-

.

-

.( )

-

.( )

: (APA)

. .

( )

.( )

.( )

( )

:

.( ) .

( ) .

:

-

. ●

. ●

. ●

. ●

-



.( ) .( ).

. :

:

. : . .( ).



: .( ) .( ).

.

:

.( ).

. : .



. : .( ).( ).( )

:

. : .( ).( ).





.( )(. )

. :

:



( )

:

. . .( ) .

.( )

:

.( ) .

-

/

. - .( ) .

.( ) .

-

. - .( ) .

/



: .( )).( ) ) .( ).

.

:

: .( ) .( ).

.



.( ) .( ).

. : ( )

:

.( ).

.( ).

.

:



).( ) .( ).

. : (

:

).

.( ).

.

: (



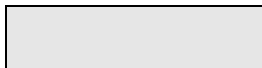
. ( ) .  
 . : . ( ) . ( )  
 :  
 . ( ) .  
 . ( ) .

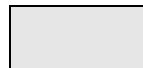


. ( ) . ( ) . ( )  
 . :  
 :  
 : . ( ) . ( )  
 .  
 . ( ) . ( ) . ( )  
 . :  
 :  
 . ( ) . ( ) .  
 : . ( - ) .

۲.

  
.( ) .( ).  
.  
:  
:  
.( ).  
.  
:  
.

  
.( ) .( ).  
.  
:  
.( )  
:  
.( ).  
.  
:  
.

  
.) .( ).  
.  
:  
.( ) .( )

۲۱

:  
: .( ) .( ).

. : .( ) .( ).

. :  
.( ).

. ( ) . :

. : .( ).  
: .( ) .( )

. :  
.( ). .( ).  
: .( - ) .

۲۲



. : .( ) .( ) )

:

:

. : .( ) -

-



) . . . ( ) .

(

:

( ) .

. - .



. . . ( ) .

( )

:

( ) .

.

. - ( ) .



( ) . ( ) .

. . .

۲۴

.( ) .

. : . :



. .( ) .

. ( )

:

. . .( ) .



. .( ) .

. .( )

:

. . : .( ) .

.

-

:



.( ) .( ).  
 ] . . .  
 .[ ] [ :  
 (Vaughan) .( ).

<http://www.arabicl.org/>

/ /  
<seerah/Vaughan1.php>

-



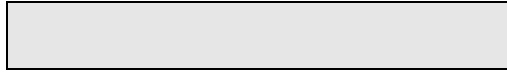
) .( ).  
 .( ) .[ ].( :  
 :  
 .( ).  
 : . :



: .[ ].( ) .( ).  
 .

:

. : .[ ] . ( ).



.[ ] . ( ).

. ( ) .

:

:

( ).

( ).

. [ ]

:

—

:

**Books:**

Gall, M., Borg, W. & Gall, J. (1996). **Educational research: An introduction**. 6<sup>th</sup> Ed. New York: Longman.

**Journals:**

- Citing articles in journals with continuous pagination:

Bean, J., & Kuh, G. (1988). The relationship between author gender and the methods and topics used in the study of college students. **Research in Higher Education**, 28 (2), 130-144.

- Citing articles in journals with non-continuous pagination:

Baumberger, J., & Bangert, A. (1996). Research designs and statistical techniques used in the Journal of Learning Disability, 1989-1993. **Journal of Learning Disability**, 29, 313-316.

- Citing articles in monthly periodicals:

Chandler-Crisp, S. (1988, May) "Aerobic writing": a writing practice model. **Writing Lab Newsletter**, pp. 9-11.

- Citing articles in weekly periodicals

Kauffmann, S. (1993, October 18). On films: class consciousness. **The New Republic**, p.30.

- Newspaper articles

Monson, M. (1993, September 16). Urbana firm obstacle to office project. **The Champaign-Urbana News-Gazette**, pp. A1, A8.

- ERIC Documents:

Kennedy, R. (1988, January). **Statistical methodology content analysis of selected educational research journals**. Research reports, general information analyses, AR. (ERIC Document Reproduction Service No. ED298138)

### **Dissertations:**

- Unpublished Thesis or Dissertation:

Alhassan, R. (2004). The effect of assigned achievement goals, self-monitoring, interest in the subject matter, and goal orientations on students' computer skill achievement, use of learning strategies, and computer self-efficacy beliefs (**Doctoral dissertation**, The Florida State University, 2004).

- Dissertation obtained from Dissertation Abstracts International (DAI):

Al Kathiri, Saud. (2002). The Characteristics of Master's Theses Conducted in the Department of Curriculum & Teaching Methods from 1983 through 2002 at King Saud University, Saudi Arabia. **Dissertation Abstracts International**, 11 (01), 55B. (UMI No. 931597)

### **Electronic Information**

- Article obtained from the internet or a full-text database:

Stemler, S. (2001). An overview of content analysis. **Practical Assessment, Research and Evaluation**, 7 (17). [Available online]. Retrieved April 1, 2002 from <http://ericae.net/pare/getvn.asp?v=7&n=17>

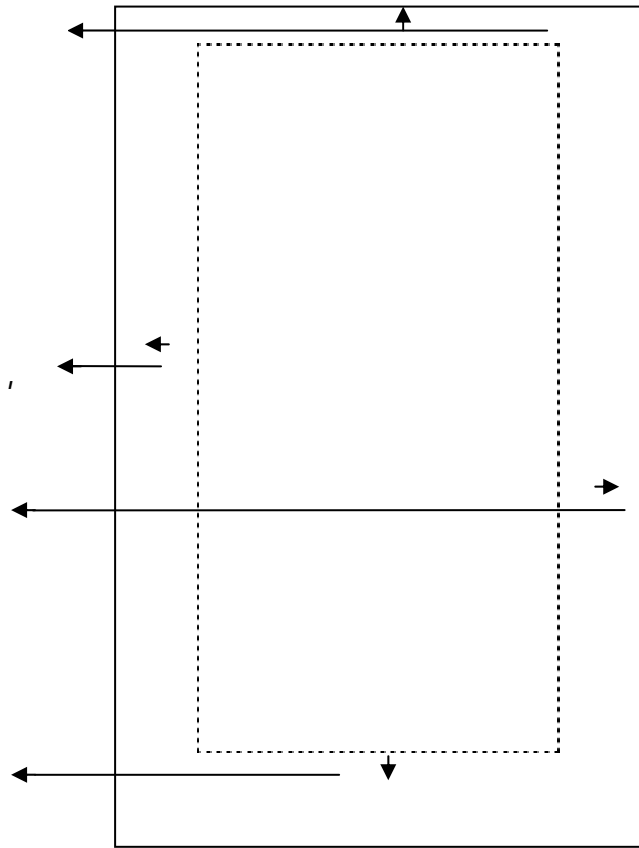
•

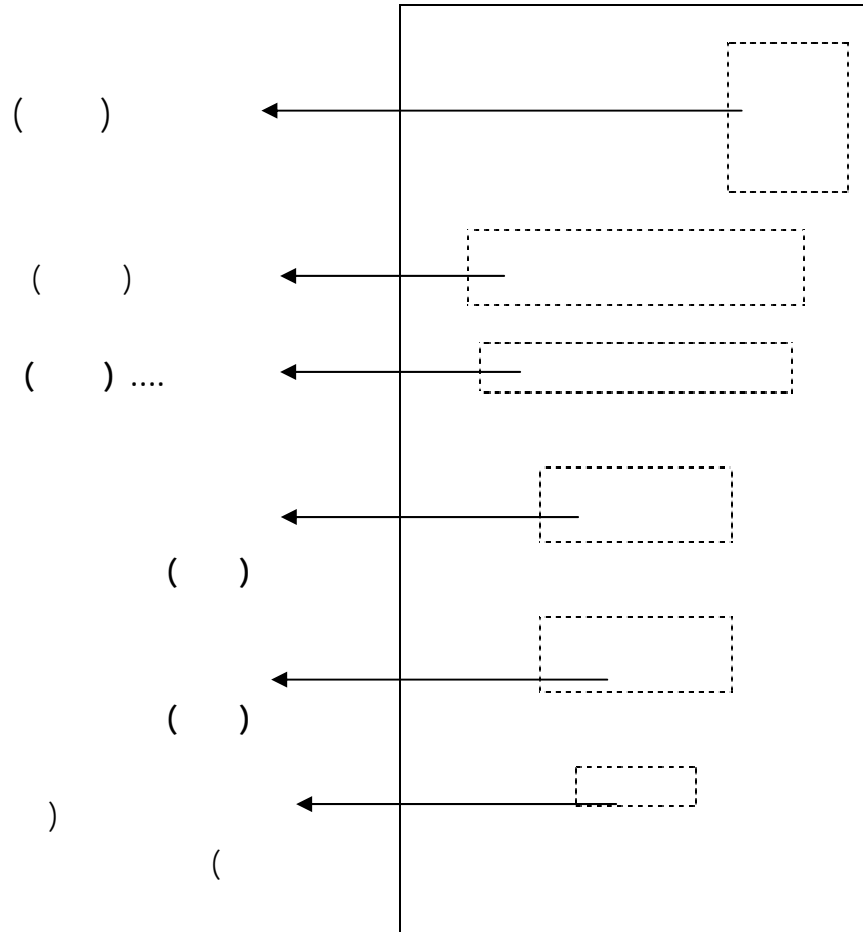
•

•

•

۳.





[ ] .

[ **enter** ]

[ ]  
[ **Enter** ]

[ ]  
[ **Enter** ]

[ ]  
[ ]

[ ]  
[ **Enter** ]

[ ]  
[ ]

[ ]  
[ **Enter** ]

[ ]



•  
—